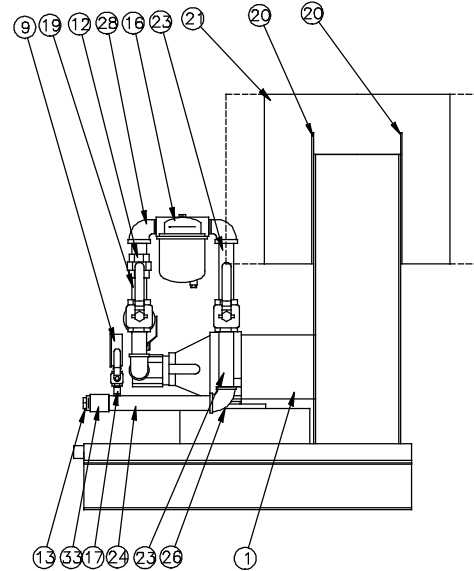
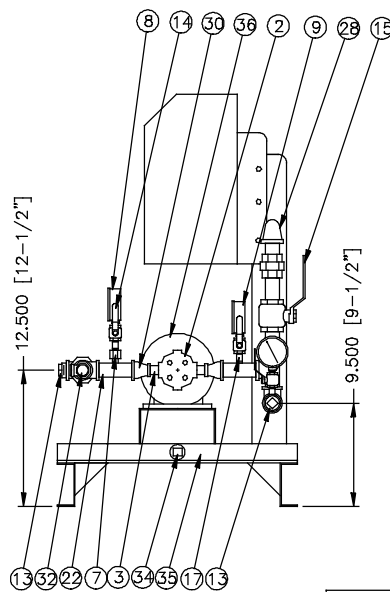
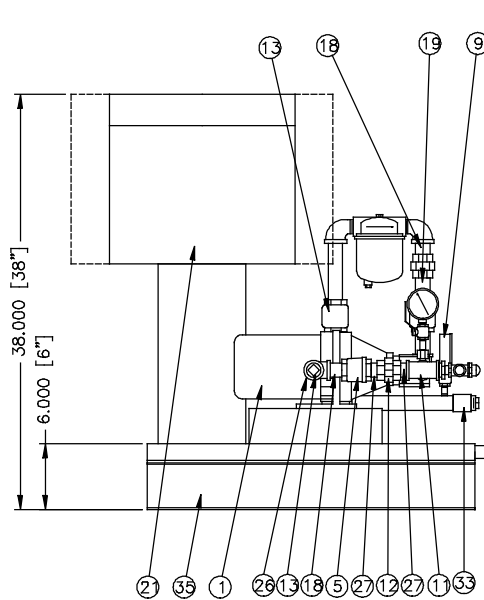


ITEM NO.	PART NO.	QTY	DESCRIPTION	ITEM NO.	PART NO.	QTY	DESCRIPTION
1	SEE SPEC. SHEET	1	1725 RPM MOTOR	19	864550	2	1 X 3 NIPPLE
2	SEE SPEC. SHEET	1	TRANSFER PUMP	20	E10721	2	PNL STAND BRKT
3	863121	2	1/2 X 1-1/2 NIPPLE	21	SEE SPEC. SHEET	1	PANEL BOX
4				22	XO2301	2	1 X 4 NIPPLE
5	233740	1	1" CHECK VALVE	23	XO2989	2	1 X 6 NIPPLE
6				24	864800	1	1 X 10 NIPPLE
7	468000	1	1/4" SNUBBER	25	140730	1	HAND-OFF-AUTO SW.
8	SEE SPEC. SHEET	1	PRESSURE GAUGE	26	867250	3	1" 90° ELBOW
9	SEE SPEC. SHEET	2	VACUUM GAUGE	27	XO2998	2	1 X 1-1/2 NIPPLE
10	654010	1	AMBER LIGHTS	28	XO2098	2	1" 90° STREET ELBOW
11	873260	1	1" BLACK PIPE TEE	30	867160	2	1 X 1/2 BELL REDUCER
12	XO2086	2	1" UNION	31	871540	1	1 X 1/2 HEX REDUCER
13	879250	2	1" PIPE PLUG	32	220170	1	RELIEF VALVE
14	980030	3	1/4" BALL VALVE	33	XO2028	1	1" COUPLING
15	980210	2	1" BALL VALVE	34	879150	1	1/2" PIPE PLUG
16	985400	1	1" COMBU OIL FILTER	35	M30623	1	22 X 30 PUMP BASE
17	XO2149	3	1/4 X 1-1/2 NIPPLE	36	102350	1	COMBU REMOTE PUMP STAND
18	XO2999	2	1 X 2 NIPPLE	37			

SEE NOTE #1

NOTE #1: ITEMS 7, 8, 9, 14, AND 17 ARE OPTIONAL AND ARE NOT SUPPLIED WITH STANDARD PUMPSET PACKAGES



**Power Flame Incorporated**

2001 SOUTH 21st STREET PHONE (820) 421-0480  
 PARSONS, KANSAS 67357 FAX (820) 421-0948



DWN. BY: CA CHKD. BY: [ ] DRAWING SCALE: FULL SCALES: 1=1 DATE: 9/11/09

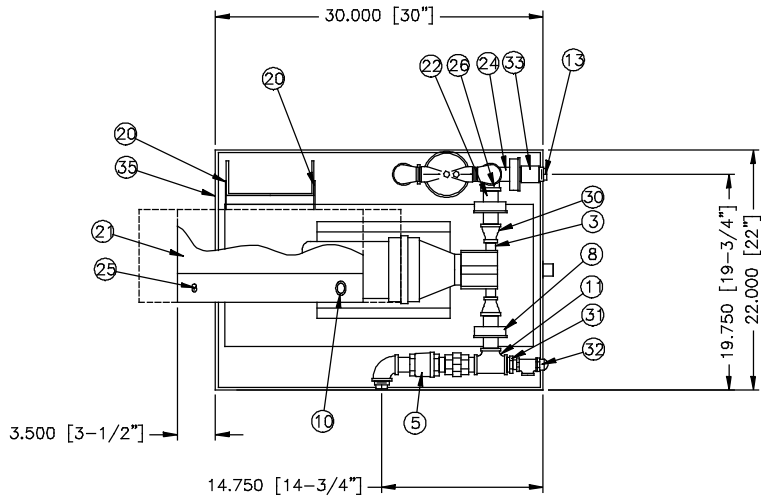
DO NOT SCALE FROM DRAWING FILE LOG: NETWORK

TITLE: SPS-1-25 THROUGH SPS-5-25 SIMPLEX PUMPSET DISK# NETWORK

REV. NO.: 90X168C

REVISION REV'D DATE

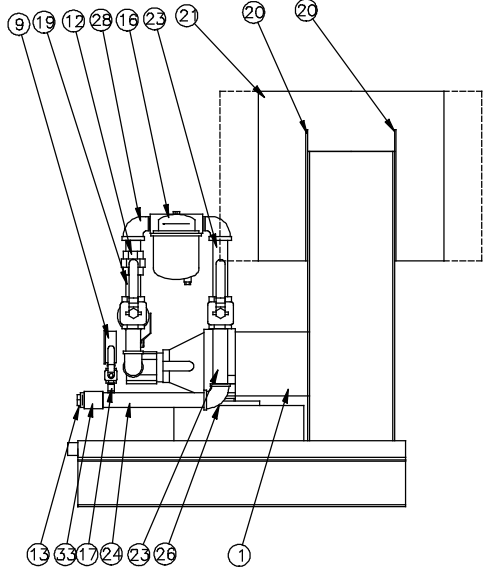
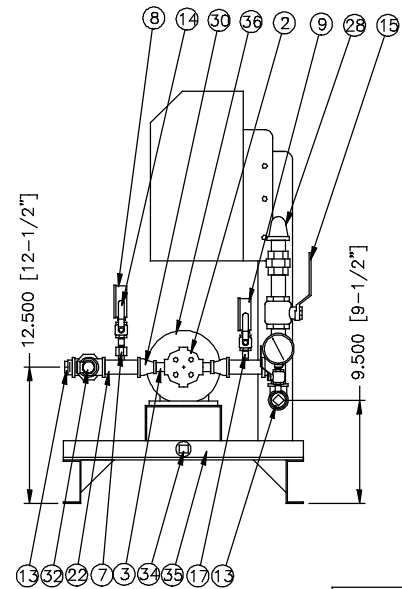
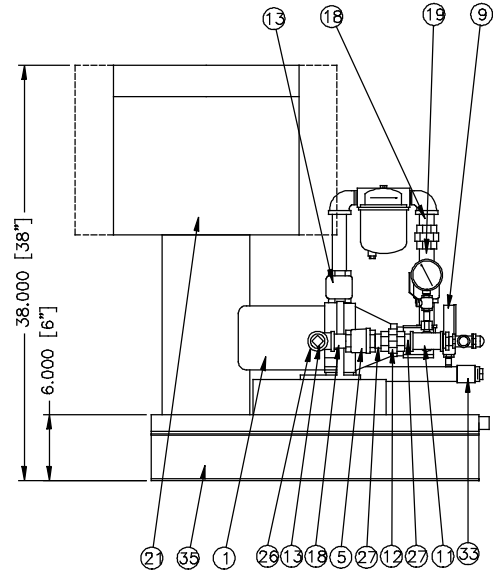
PROPRIETARY AND CONFIDENTIAL NOTICE: THE CONTENTS OF THIS TEMPLATE CONSTITUTE PROPRIETARY AND CONFIDENTIAL INFORMATION OWNED BY POWER FLAME INCORPORATED. IT SHALL NOT BE REPRODUCED, IN WHOLE OR IN PART, AND SHALL NOT BE DISCLOSED TO ANOTHER OUTSIDE POWER FLAME WITHOUT THE PRIOR EXPRESS APPROVAL OF POWER FLAME.



SEE NOTE #1

ITEM NO.	PART NO.	QTY	DESCRIPTION	ITEM NO.	PART NO.	QTY	DESCRIPTION
1	SEE SPEC. SHEET	1	1725 RPM MOTOR	19	864550	2	1 X 3 NIPPLE
2	SEE SPEC. SHEET	1	TRANSFER PUMP	20	E10721	2	PNL STAND BRKT
3	863121	2	1/2 X 1-1/2 NIPPLE	21	SEE SPEC. SHEET	1	PANEL BOX
4				22	XO2301	2	1 X 4 NIPPLE
5	233740	1	1" CHECK VALVE	23	XO2989	2	1 X 6 NIPPLE
6				24	864800	1	1 X 10 NIPPLE
7	468000	1	1/4" SNUBBER	25	140730	1	HAND-OFF-AUTO SW.
8	SEE SPEC. SHEET	1	PRESSURE GAUGE	26	867250	3	1" 90° ELBOW
9	SEE SPEC. SHEET	2	VACUUM GAUGE	27	XO2998	2	1 X 1-1/2 NIPPLE
10	654010	1	AMBER LIGHTS	28	XO2098	2	1" 90° STREET ELBOW
11	873260	1	1" BLACK PIPE TEE	30	867160	2	1 X 1/2 BELL REDUCER
12	XO2086	2	1" UNION	31	871540	1	1 X 1/2 HEX REDUCER
13	879250	2	1" PIPE PLUG	32	220170	1	RELIEF VALVE
14	980030	3	1/4" BALL VALVE	33	XO2028	1	1" COUPLING
15	980210	2	1" BALL VALVE	34	879150	1	1/2" PIPE PLUG
16	985400	1	1" COMBU OIL FILTER	35	M30623	1	22 X 30 PUMP BASE
17	XO2149	3	1/4 X 1-1/2 NIPPLE	36	102350	1	COMBU REMOTE PUMP STAND
18	XO2999	2	1 X 2 NIPPLE	37			

NOTE #1: ITEMS 7, 8, 9, 14, AND 17 ARE OPTIONAL AND ARE NOT SUPPLIED WITH STANDARD PUMPSET PACKAGES



**Power Flame Incorporated**

2001 SOUTH 21st STREET PHONE (820) 421-0480  
 PARSONS, KANSAS 67357 FAX (820) 421-0948



DWN. BY: CA	CHKD. BY:	DRAWING SCALE: FULL	SCALE: 1=1	DATE: 9/11/09
DO NOT SCALE FROM DRAWING			FILE LOG:	NETWORK
TITLE: SPS-1-100 THROUGH SPS-4-100 SIMPLEX PUMPSET WITH 1" COMBU STRAINER				DISK# NETWORK
REVISION				DWG. NO. 90X169C

PROPRIETARY AND CONFIDENTIAL NOTICE: THE CONTENTS OF THIS TEMPLATE CONSTITUTE PROPRIETARY AND CONFIDENTIAL INFORMATION OWNED BY POWER FLAME INCORPORATED. IT SHALL NOT BE REPRODUCED, IN WHOLE OR IN PART, AND SHALL NOT BE DISCLOSED TO ANOTHER OUTSIDE POWER FLAME WITHOUT THE PRIOR EXPRESS APPROVAL OF POWER FLAME.